



MOVME[®]

MAKE EVERYTHING EASIER





00109Q1226RIM/3302
00109E20323RIM/3302
00109S10127RIM/3302



体系认证
CNAS C001-Q, E, S



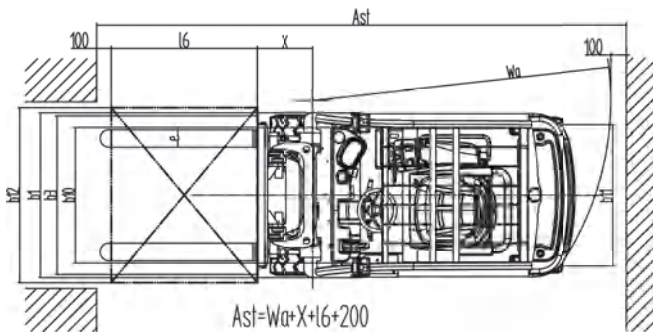
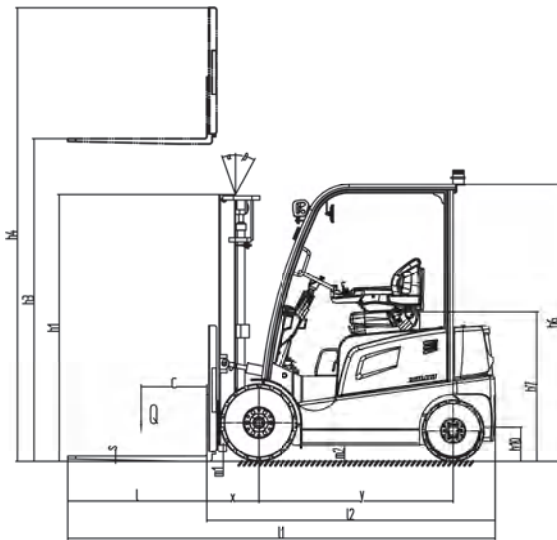
CPD20SA

Dual Front Driving Wheel

AC



Conforms to EN ISO3691-1
EN1175
EN16307-1
Based on Directive 2006/42/EC



$Ast = Wa + X + 16 + 200$

Model		CPD20SA-16	CPD20SA-18	CPD20SA-20
Drive: electric (battery type, mains, ...), diesel, petrol, fuel gas		Electric	Electric	Electric
Operator type: hand, pedestrian, standing, seated, order-picker		Seated	Seated	Seated
Rated capacity/rated load	Q (kg)	1600	1800	2000
Load centre distance	c (mm)	500	500	500
Load distance, centre of drive axle to fork	x (mm)	366	366	366
Wheelbase	y (mm)	1362	1362	1465
Service weight	kg	3200	3350	3500
Axle loading, laden front/rear	kg	3955/865	4166/914	4469/981
Axle loading, unladen front/rear	kg	1425/1795	1455/1826	1625/1997
Tyres: solid rubber, superelastic, pneumatic, polyurethane		Solid rubber	Solid rubber	Solid rubber
Tyre size, front		18x7-8	200/50-10	200/50-10
Tyre size, rear		15x4 ½-8	15x4 ½-8	140/55-9
Wheels, number front/rear (x = driven wheels)		2x+2	2x+2	2x+2
Tread, front	b ₁₀ (mm)	920	937	937
Tread, rear	b ₁₁ (mm)	165	165	188
Tilt of mast/fork carriage forward/backward	a/β (°)	3/6	3/6	3/6
Height, mast lowered	h ₁ (mm)	2000-2660	2000-2660	2000-2660
Free lift	h ₂ (mm)	Option	Option	Option
Lift	h ₃ (mm)	3000-6200	3000-6200	3000-6200
Height, mast extended	h ₄ (mm)	4050-7250	4050-7250	4050-7250
Height of overhead guard (cabin)	h ₆ (mm)	2013	2013	2013
Seat height relating to SIP/stand height	h ₇ (mm)	950	950	950
Coupling height	h ₁₀ (mm)	560	560	560
Overall length	l ₁ (mm)	2880	3000	3100
Length to face of forks	l ₂ (mm)	1930	1930	2030
Overall width	b ₁ /b ₂ (mm)	1070	1145	1145
Fork dimensions DIN ISO 2331	s/e/l (mm)	40/100/950	40/120/1070	40/120/1070
Fork-carriage width	b ₃ (mm)	968	968	968
Ground clearance, laden, below mast	m ₁ (mm)	90	90	90
Ground clearance, centre of wheelbase	m ₂ (mm)	100	100	100
Aisle width for pallets 1000 × 1200 crossways	Ast (mm)	3120	3120	3200
Aisle width for pallets 800 × 1200 lengthways	Ast (mm)	3220	3220	3300
Turning radius	Wa (mm)	1552	1552	1652
Travel speed, laden/unladen	km/h	14/14	14/14	13/13
Lift speed, laden/unladen	m/s	0.29/0.45	0.27/0.42	0.25/0.42
Lowering speed, laden/unladen	m/s	0.45/0.43	0.45/0.43	0.45/0.43
Max.Gradeability, laden/unladen	%	15/20	15/20	15/20
Service brake		Hydraulic	Hydraulic	Hydraulic
Drive motor rating S2 60 min	kW	2x4.75(AC)	2x4.75(AC)	2x4.75(AC)
Lift motor rating at S3 15%	kW	10(AC)	10(AC)	10(AC)
Battery voltage/nominal capacity K5	(V)/(Ah) or kWh	48/420(490)	48/490(560)	48/560(640)
Battery weight	kg	720(760)	760(800)	800(845)
Oil volume for attachments	ℓ/min	7.5	7.5	7.5
Sound pressure level at the driver' s seat	dB (A)	68	68	68

Remark: The data is based on the lifting height 3000mm;Lifting height from 3000mm to 6200mm are available;

Electric controller selection:INMOTION.CURTIS.

ADVANTAGES

SAFETY AND STABILITY:

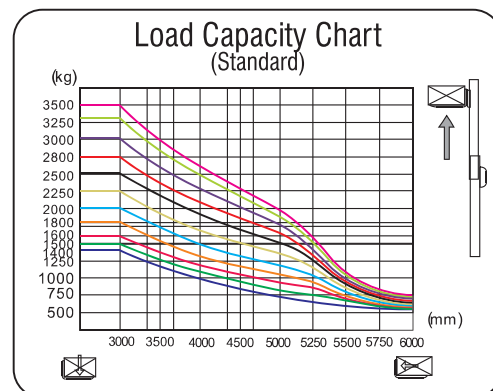
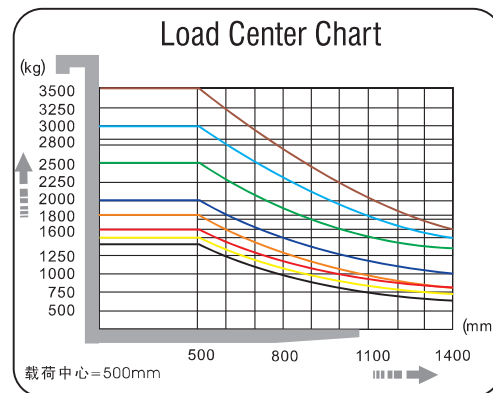
1. Germany imported driving axle.
2. Multifunctional display with using time, fault code, battery status, forklift running information.
3. AC motor with regenerative braking.
4. Three running modes according to different needs: low speed, moderate speed and high speed.
5. Wet disk brake can make the forklift break stably, ensures high durability and safety.
6. Very small turning radius is only 1552mm and minimum right angle stacking aisle is only 3220mm.

ERGONOMICS:

1. With two step pedal easy to get into the driving cab.
2. Adjustable steering wheel column, the driver can adjust the position according to his need.
3. Integrated light switch and steering wheel.
4. ABS instrument board in the driving-box is durable and beautiful.
5. The design of the controlling lever position fit the Ergonomic principles which can reduce the driver's fatigue.
6. Clearly and wide view mast with good visibility.
7. Emergency power cut off plug for emergency stop.

SERVICE ABILITY:

1. Easy maintained controller and steering potentiometer.
2. Maintenance free wet disk brake.
3. Lifting and driving AC motors without carbon brush free to maintain, which greatly reduce maintenance cost. And they all adopt external encoder, so the maintenance and service is more convenient.
4. BDI with overall discharge protecting system.
5. Braking oil cup is installed on the instrument panel, so as to check and add braking oil conveniently.
6. Side way battery box is easy to change battery, it is safety and convenient.





Wet disc brake



Multi-function display



Sideway battery box





TEL: 0086-532-66739792

FAX: 0086-532-66739791

info@movmes.com

NO.88 Chunyang Road,Chengyang,

QINGDAO,CHINA

www.movmes.com