



MOVME[®]

MAKE EVERYTHING EASIER





00109Q1226RIM/3302
00109E20323RIM/3302
00109S10127RIM/3302



体系认证
CNAS C061-Q1 E. S



CDD10R-E
CDD12R-E
CDD15R-E

CTD10R-E
CTD12R-E
CTD15R-E



product
design
award



RedDot
Design Award

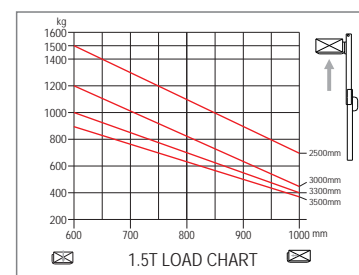
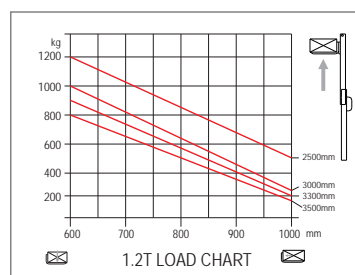
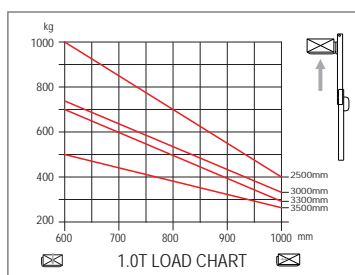


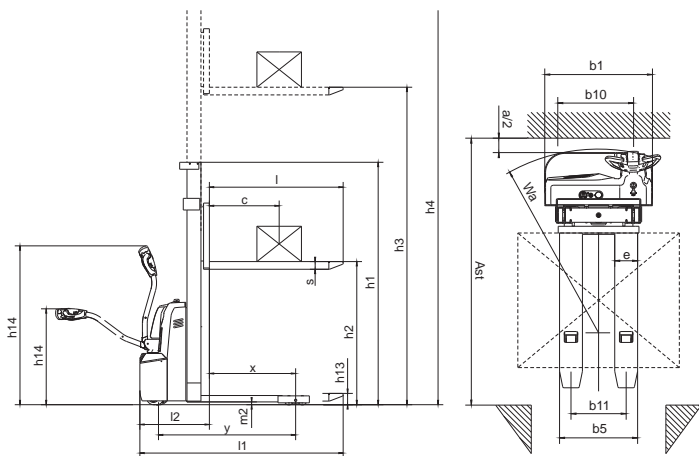
Conforms to
EN ISO3691-1
EN1175
EN16307-1

The super light Electric Walkie Stacker with small turning radius which is widely used in small warehouse and super market. Suit for low level stacking and short distance transportation.

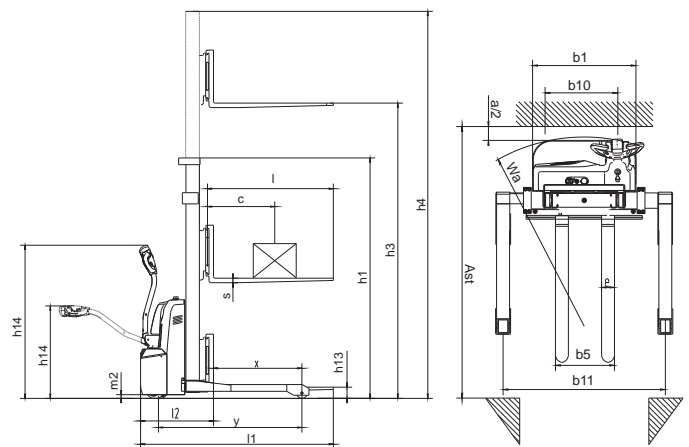
Model		CDD10R-E	CDD12R-E	CDD15R-E
Drive: electric (battery type, mains, ...), diesel, petrol, fuel gas		Electric	Electric	Electric
Operator type: hand, pedestrian, standing, seated, order-picker		Pedestrian	Pedestrian	Pedestrian
Rated capacity/rated load	Q (kg)	1000	1200	1500
Load centre distance	c (mm)	600	600	600
Load distance, centre of drive axle to fork	x (mm)	741	741	741
Wheelbase	y (mm)	1180	1180	1180
Service weight	kg	460/525/545/560/565	615/640/660/675/680	705/730/750/765/770
Axle loading, laden front/rear	kg	515/1063	637/1233	647/1553
Axle loading, unladen front/rear	kg	405/145	508/162	518/182
Tyres: solid rubber, superelastic, pneumatic, polyurethane		PU	PU	PU
Tyre size, front		♣195*70	♣195*70	♣195*70
Tyre size, rear		♣80*70	♣80*70	♣80*70
Additional wheels (dimensions)		♣150*60	♣150*60	♣150*60
Wheels, number front/rear (x = driven wheels)		1x+1/4	1x+1/4	1x+1/4
Tread, front	b ₁₀ (mm)	523	523	523
Tread, rear	b ₁₁ (mm)	410/525	410/525	410/525
Height, mast lowered	h ₁ (mm)	2090/1840/2090/2200/2340	2090/1840/2090/2200/2340	2090/1840/2090/2200/2340
Lift	h ₂ (mm)	1600/2500/3000/3300/3500	1600/2500/3000/3300/3500	1600/2500/3000/3300/3500
Height, mast extended	h ₃ (mm)	2090/3060/3560/3860/4060	2090/3060/3560/3860/4060	2090/3060/3560/3860/4060
Height drawbar in driving position min./max.	h ₄ (mm)	670/1300	670/1300	670/1300
Height, lowered	h ₁₄ (mm)	90	90	90
Overall length	h ₁₃ (mm)	1748(1668)	1748(1668)	1748(1668)
Length to face of forks	l ₁ (mm)	598	598	598
Overall width	l ₂ (mm)	800	800	800
Fork dimensions DIN ISO 2331	b ₁ /b ₂ (mm)	60*170*1150(1070)	60*170*1150(1070)	60*170*1150(1070)
Fork spread	s/e/l (mm)	570/695	570/695	570/695
Ground clearance, centre of wheelbase	b ₅ (mm)	26	26	26
Aisle width for pallets 1000 × 1200 crossways	m ₂ (mm)	2218	2218	2218
Aisle width for pallets 800 × 1200 lengthways	Ast (mm)	2173	2173	2173
Turning radius	Ast (mm)	1365	1365	1365
Travel speed, laden/unladen	Wa (mm)	4.5/5	4.5/5	4.5/5
Lift speed, laden/unladen	km/h	0.11/0.14	0.09/0.14	0.08/0.11
Lowering speed, lade/unladen	m/s	0.12/0.10	0.12/0.10	0.12/0.10
Gradeability, laden/unladen	m/s	6/15	6/15	6/15
Max. gradeability, laden/unladen	%	6/15	6/15	6/15
Service brake	%	Electromagnetic	Electromagnetic	Electromagnetic
Drive motor rating S2 60 min	kW	0.65	0.65	0.65
Lift motor rating at S3 15%	kW	2.2	2.2	2.2
Battery voltage/nominal capacity K5	(V)/(Ah) or kWh	24/105(125)	24/105(125)	24/125
Battery weight	kg	52(70)	52(70)	70
Sound pressure level at the driver' s seat	dB (A)	70	70	70

Model		CTD10R-E	CTD12R-E	CTD15R-E
Drive: electric (battery type, mains, ...), diesel, petrol, fuel gas		Electric	Electric	Electric
Operator type: hand, pedestrian, standing, seated, order-picker		Pedestrian	Pedestrian	Pedestrian
Rated capacity/rated load	Q (kg)	1000	1200	1500
Load centre distance	c (mm)	600	600	600
Load distance, centre of drive axle to fork	x (mm)	800	800	800
Wheelbase	y (mm)	1350	1350	1350
Service weight	kg	490/555/575	490/555/575	580/645/665
Axle loading, laden front/rear	kg	530/1140	550/1350	600/1715
Axle loading, unladen front/rear	kg	485/185	500/200	560/225
Tyres: solid rubber, superelastic, pneumatic, polyurethane		PU	PU	PU
Tyre size, front		¢195*70	¢195*70	¢195*70
Tyre size, rear		¢98*82	¢98*82	¢98*82
Additional wheels (dimensions)		¢150*60	¢150*60	¢150*60
Wheels, number front/rear (x = driven wheels)		1x+1/2	1x+1/2	1x+1/2
Tread, front	b ₁₀ (mm)	523	523	523
Tread, rear	b ₁₁ (mm)	1066-1466	1066-1466	1066-1466
Height, mast lowered	h ₁ (mm)	2145/1895/2145/2295/2395	2145/1895/2145/2295/2395	2145/1895/2145/2295/2395
Lift	h ₂ (mm)	1600/2500/3000/3300/3500	1600/2500/3000/3300/3500	1600/2500/3000/3300/3500
Height, mast extended	h ₃ (mm)	2145/3145/3645/3995/4145	2145/3145/3645/3995/4145	2145/3145/3645/3995/4145
Height drawbar in driving position min./max.	h ₄ (mm)	670/1300	670/1300	670/1300
Height, lowered	h ₁₄ (mm)	70	70	70
Overall length	h ₁₃ (mm)	1786/1866	1786/1866	1786/1866
Length to face of forks	l ₁ (mm)	717	717	717
Overall width	l ₂ (mm)	1182-1582	1182-1582	1182-1582
Fork dimensions DIN ISO 2331	b ₁ /b ₂ (mm)	35*100*1070(1150)	35*100*1070(1150)	35*100*1070(1150)
Fork spread	s/e/l (mm)	200-800	200-800	200-800
Ground clearance, centre of wheelbase	b ₅ (mm)	65	65	65
Aisle width for pallets 1000 × 1200 crossways	m ₂ (mm)	2366	2366	2366
Aisle width for pallets 800 × 1200 lengthways	Ast (mm)	2300	2300	2300
Turning radius	Ast (mm)	1530	1530	1530
Travel speed, laden/unladen	Wa (mm)	4.5/5	4.5/5	4.5/5
Lift speed, laden/unladen	km/h	0.11/0.14	0.09/0.14	0.08/0.11
Lowering speed, lade/unladen	m/s	0.12/0.10	0.12/0.10	0.12/0.10
Gradeability, laden/unladen	m/s	6/15	6/15	6/15
Max. gradeability, laden/unladen	%	6/15	6/15	6/15
Service brake	%	Electromagnetic	Electromagnetic	Electromagnetic
Drive motor rating S2 60 min	kW	0.65	0.65	0.65
Lift motor rating at S3 15%	kW	2.2	2.2	2.2
Battery voltage/nominal capacity K5	(V)/(Ah) or kWh	24/105(125)	24/105(125)	24/125
Battery weight	kg	52(70)	52(70)	70
Sound pressure level at the driver' s seat	dB (A)	70	70	70





CDD10R-E/CDD12R-E/CDD15R-E



CTD10R-E/CTD12R-E/CTD15R-E

ADVANTAGES:

- Back cover is integrated type design , easy to assemble and maintain.
- Use GEL battery free to maintain.
- Built in charger easy to access to power supply.
- Low gravity design , 4 point design , improve the trucks stability.
- The drive unit have small turning radius, the motor and brake is very easy to replace.
- Compact design and small dimensions , offer excellent visibility.
- The turning radius and aisle width is very small and which is similar with manual stacker.



RUYI Tiller Head



4 point design, improve the trucks stability.



Floor type drive wheel



Option: Initial lifting with double-pallet function turn to P80





TEL: 0086-532-66739792

FAX: 0086-532-66739791

info@movmes.com

NO.88 Chunyang Road,Chengyang,

QINGDAO,CHINA

www.movmes.com